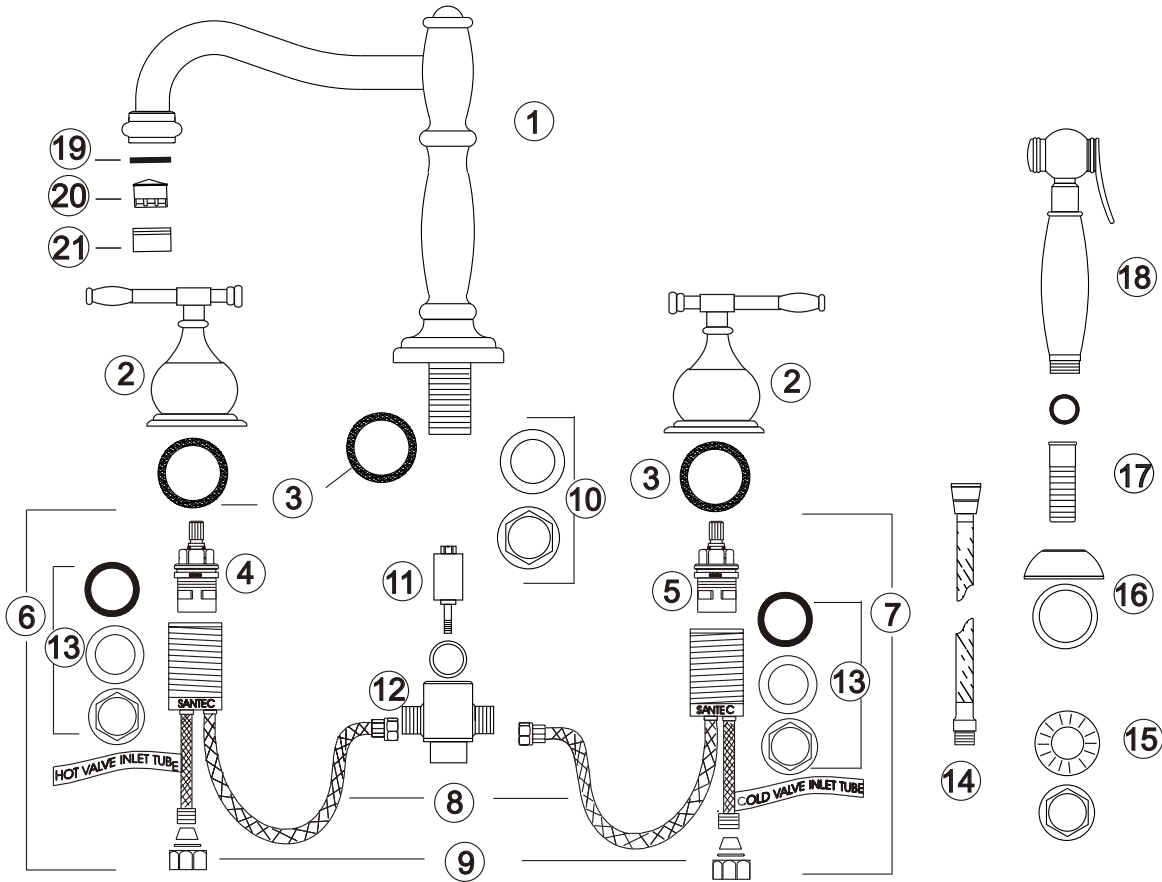


LINCOLN COLLECTION KITCHEN FAUCET WITH SIDE SPRAY WITH "LV" HANDLES



#	PART DESCRIPTION	PART #
1	Complete Kitchen Spout Assembly *	PS-8L00XA
2	Complete LV Handle Assembly *	00LV
3	Washers for Spout & Handle Flanges	PM-400
4	Hot Cartridge Only	P0418
5	Cold Cartridge Only	P0419
6	Complete Hot Valve	P0452
7	Complete Cold Valve	P0453
8	Connecting Hose to the Tee	P0441
9	Connecting Hose to the Supply Line	P0440
10	Spout Shank Mounting Hardware	
11	Diverter	
12	Diverter Tee Connector	
13	Valve Body Mounting Hardware	
14	Connecting Hose	HS-600
15	Spray Holder Mounting Hardware	
16	Spray Holder Flange *	Z-200-1
17	Spray Holder Guide Tube*	Z-200-2
18	Side Spray *	00SC
19	Aerator Washer	PM-306
20	Aerator Basket with Restrictor	PM-305
21	Aerator Housing *	P0952-U

* Please specify the finish when ordering the part.

FLUSH BOTH SUPPLY LINES BEFORE INSTALLATION

AFTER FLUSHING, SHUT OFF BOTH SUPPLY LINES

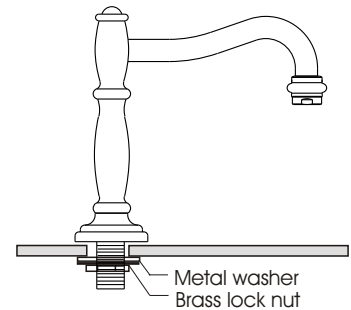
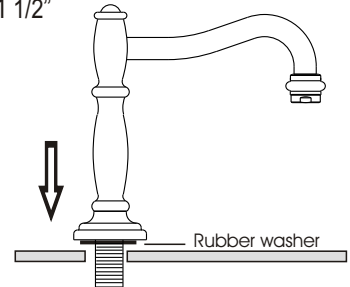
MINIMUM HOLE SIZE FOR THE SPOUT AND HANDLE TRIM IS 1 1/4" AND MAXIMUM IS 1 1/2"

SPOUT INSTALLATION

- 1
 - Remove the faucet from the box.
 - Remove the mounting lock nut and washer (10), diverter (11) and diverter tee connector (12) from the threaded spout shank.
 - From the top of the deck, slip the spout with the flange and flange washer (3) through the assigned spout hole. Secure the spout by putting the washer and mounting nut back onto the threaded spout shank. Align the spout and tighten the lock nut firmly.

- 2
 - Connect the Diverter(11) and Diverter Tee-Connector (12) to the spout shank. Make sure all the washers are inserted between the connector and the shank.

Note: for better installation it is advisable to place silicone caulking around all holes on the top of the deck

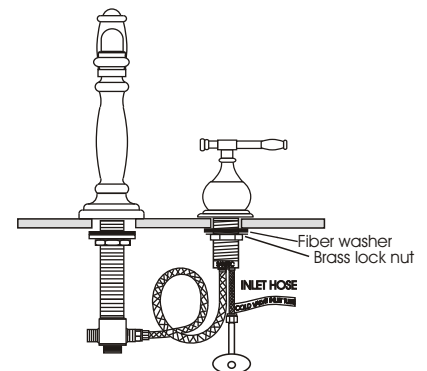
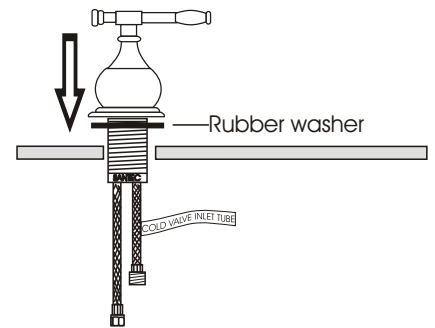


HANDLE TRIM INSTALLATION

- 1
 - For proper handle turning direction, install the handle with the "cold" blue label (7) at the right side of the spout (looking from the front) and the handle with the "hot" red label at the left side of the spout.
 - Both hot and cold side handle trims are pre-assembled for faster installation.
 - Remove the valve body mounting hardware (13) from the valve body. Slip the valve body's flexible hoses from the top of the sink or counter through the appropriate hole next to the spout. Make sure the handle flange washer (3) is properly placed underneath of the flange and gently pressed against the sink top. Aim the tee connecting hoses (8) toward the diverter tee connector (12).

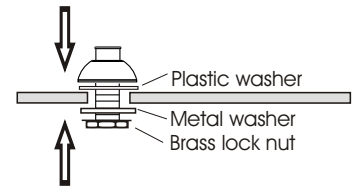
- 2
 - From the beneath of the basin or counter, screw the valve body mounting hardware (13) back to the valve body. First the fiber washer, then the brass lock nut.
 - Align the handle lever properly against the spout. Tighten the lock nut until it secures the valve body firmly.

- 3
 - Loop and connect the flexible hoses (8) to the diverter tee (12). Tighten to avoid leakage.
 - Connect and tighten the Inlet hoses (9) to the supply lines.



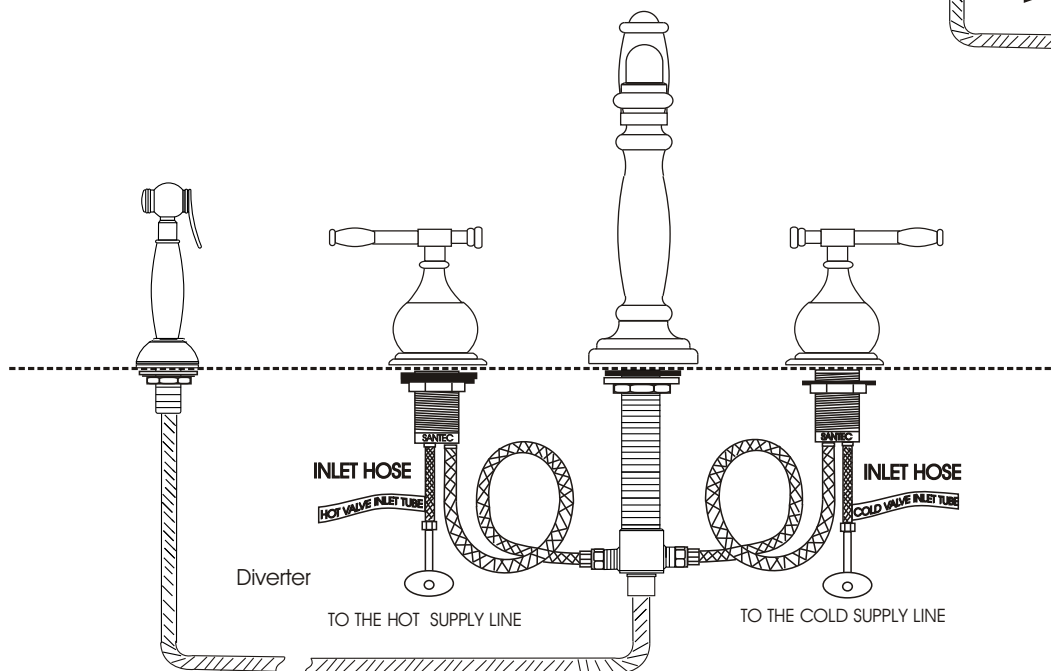
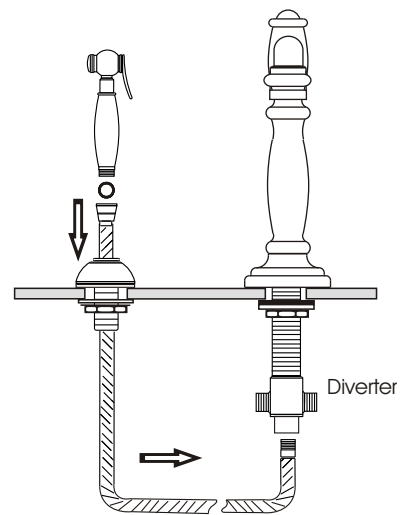
SIDE SPRAY INSTALLATION

- 1
 - Slip the guide tube (17) and flange (16) and the washer down from the top of the tub through the appropriate hole. Slip the mounting hardware (15) from the bottom of the tub, first the crimped metal washer then the brass lock nut. Tighten the lock nut firmly.
- 2
 - Slip the hose through the guide tube (17) from the top of the counter.
 - Connect the coupler to the side spray.
 - Connect the other threaded end of the hose to the diverter tee connector (12). Tighten to avoid leakage.



WATER TEST

- Turn on the cold water supply.
- Use the handle from the faucet set to turn the valve on and off.
- Check for leaks. If water leaks from any of the connections merely tighten the connections until the leak stops.
- Repeat the same- procedure for the hot side.
- With the water fully opened, press the side spray trigger to make sure that the water is diverting from the spout to the side spray.



Santec Inc.
 3501 Challenger Street, Torrance, CA 90503
 Tel: (310) 542-0063 Fax (310) 542-5681
 www.santecfaucet.com

04/03

SANTEC LIFETIME LIMITED WARRANTY

1. **Finishes:** Santec **Polished Chrome** and **Polished Orobrass** finishes carry a **Lifetime Limited** Warranty against manufacturing defects and tarnish to the original purchaser with the exclusion of Kitchen drain assemblies which, due to the nature of their use, are not warranted. Santec **Recommended custom finishes** carry a ten (10) years limited warranty against manufacturing Defects and tarnish to the original purchaser with the exclusion of kitchen and pop Up drain Assemblies which, due to the nature of their use, are not warranted.
2. **Cartridges:** Santec Cartridges carry a lifetime limited warranty against manufacturing defects for the Life of the product to the original purchaser.
3. **Parts:** Santec parts carry a Ten (10) year limited Warranty against manufacturing defects, to the Original purchaser.
4. **Warranty exclusions and limitations :** This warranty does not cover: damage due to negligence, accident, abuse, improper installation, or improper maintenance such as, but not limited to: heat from Soldering during installation, the use of plumbers putty, damage from tools used during installation, The use or exposure to chemicals or cleaning products either abrasive or non abrasive or the use of Any cleaning tool or product other than a soft, clean cloth. This warranty does not cover: changes in The finish or in the product due to normal wear or aging and does not cover any product or parts Which have been altered or used in a manner not typical for the product. **This warranty does not Cover And Santec will not be held liable for damage to products caused by the freight carrier And a claim should be made immediately to the freight carrier should this occur.** This warranty Does not cover any cost involved in the installation, repair, or replacement of any Santec product or Part. This warranty does not cover and Santec will not be held liable for any loss, damages, or Expenses, incidental or consequential whatsoever, originating from the purchase, installation, use, repair, failure, or replacement of any Santec product or part, as allowed by law. The product or Components of the covered product will either be repaired, refinished or replaced, at the sole Discretion of Santec. Santec reserves the right to examine any product claimed defective prior to Any warranty claim being accepted or processed, at its sole discretion. This warranty gives you Specific legal rights and you may have other rights which may vary from state to state.

Effective **01/01/03** - Replaces and supersedes any previously issued warranty.

FINISH CARE INFORMATION

For clear coated or enamel color finishes:

We recommend that all faucets, drains, etc. be Gently wiped dry with a soft cloth after use to avoid Water spotting and water deposit buildup. A mild Liquid hand soap, such as Ivory may be used Occasionally if desired. Use of a non - Abrasive Carnauba wax will add protection to the finish and Should be used if the faucets will not be dried after Use. Santec Orobrass kitchen products are clear Coated.

For non-Clear coated and specialty finishes:

We recommend that all faucets, drains, etc. be Gently wiped dry with a soft cloth after use to avoid Water spotting and water deposit buildup. Use of a Non-Abrasive carnauba wax is required Occasionally.