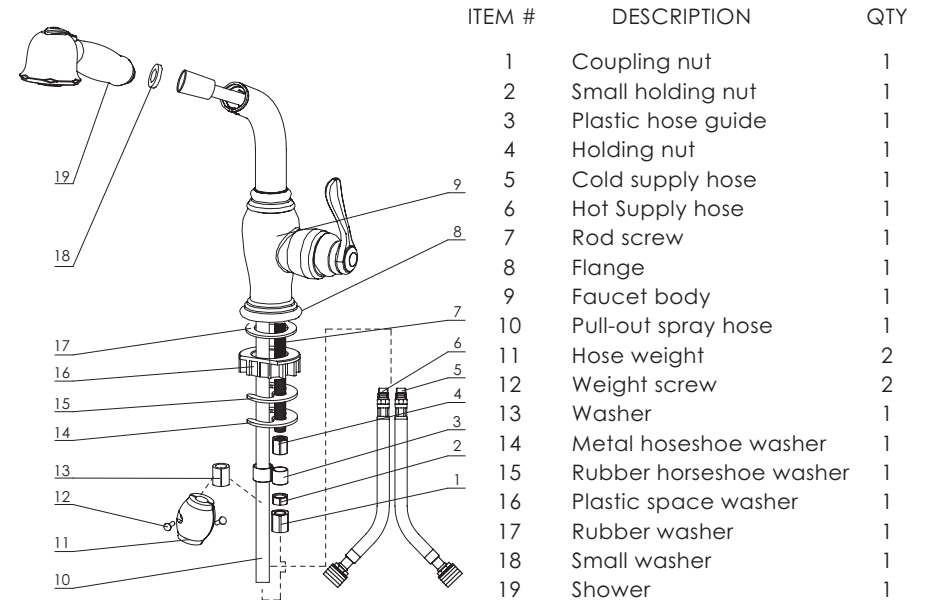
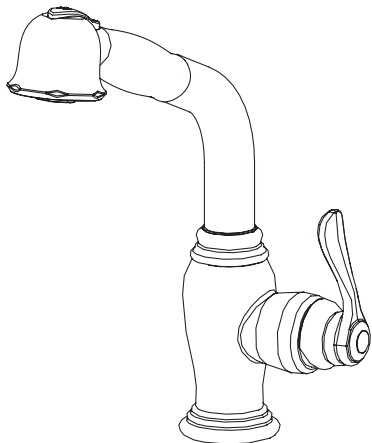
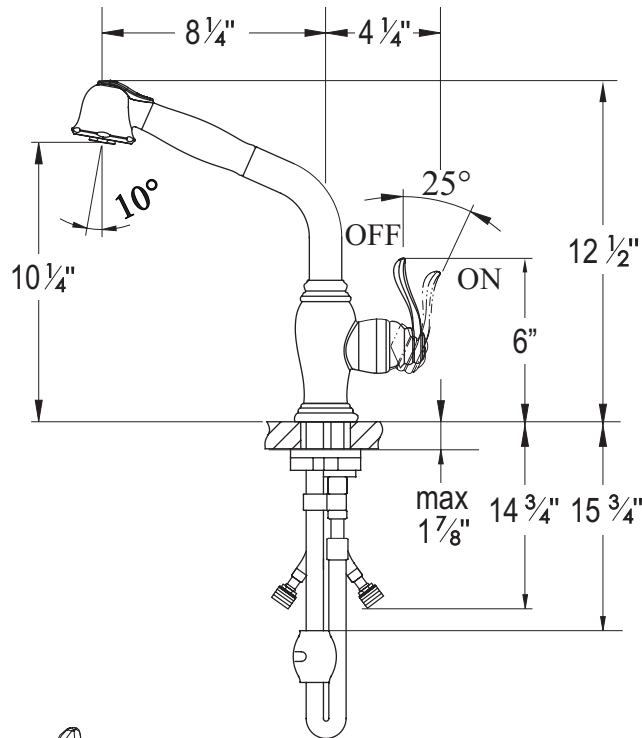


DAPHNE PULL-OUT KITCHEN

Polished Chrome **120MK10**
Satin Nickel **120MK75**



Note.

Before proceeding with the assembly, it is highly recommended to purge the hot and cold water piping to prevent accumulation of dirt and residues which could cause malfunctioning of the mixer.

Recommended water pressure = 28 psi ~ 71 psi

Suitable dimension of sink hole = 1 3/8" ~ 1 1/2"

KEEP THIS INSTRUCTION BOOKLET FOR FUTURE REFERENCE

Important : Please register your product online at www.santecfaucet.com within 30 days of purchase. Santec reserves the right to request additional documents before servicing warranty requests.

FAUCET INSTALLATION (1)

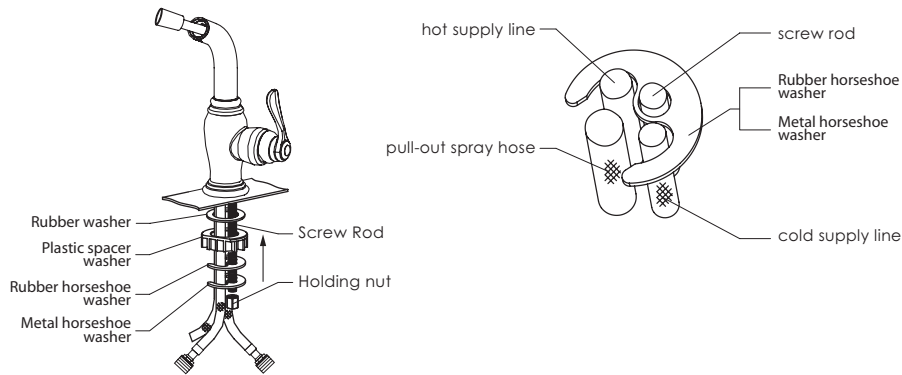
Remove coupling nut, small holding nut, plastic hose guide, holding nut, metal horseshoe washer, rubber horseshoe washer, plastic spacer washer, rubber washer and hose weight to allow drop-in installation for the faucet body.

Apply a ring of silicone caulking around hole designated for spout.

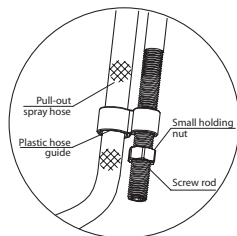
DO NOT USE PLUMBER'S PUTTY WHICH CAN DAMAGE THE FINISH OF YOUR FAUCET.

From the top of the deck, insert the spout threaded shank along with all hoses through the hole of the sink.

Sequently slip the rubber washer, plastic spacer washer, rubber horseshoe washer, metal horseshoe washer, and holding nut onto the screw rod and firmly tighten them all against the sink. Position the hose according to the following illustration.



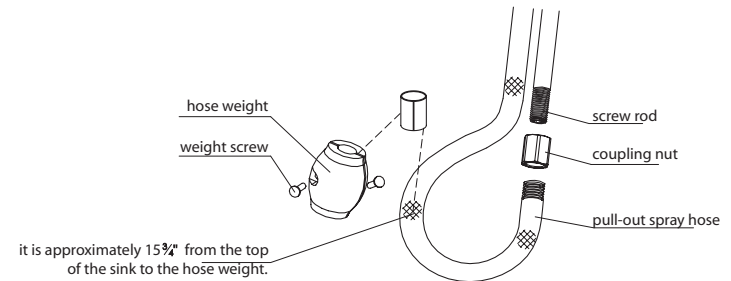
Insert and arrange the plastic hose guide in such a way that both spray hose and screw rod fit into the guide. Screw in the small holding nut to fix its position.



FAUCET INSTALLATION (2)

Connect the coupling nut to the end of the screw rod and then connect the sprayer hose to the other end of the coupling nut.

Fix the hose weight on the hose. Distance from top of the sink to the hose weight is approximately 15 3/4".

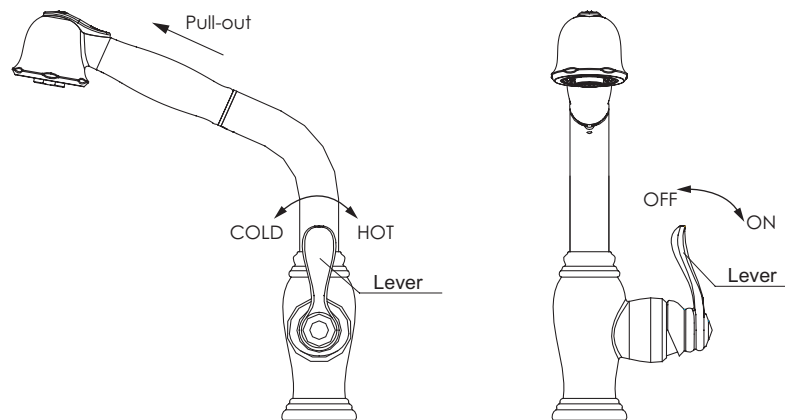


Connect and tighten the inlet hoses to the supply lines.

After the connections have been made, turn on the water supply and check for leakages at all joints. If water leaks from any of the connections, tighten the connection until the leakage stops.

If no leakage, remove shower assembly being careful not to lose small rubber washer. Then turn the handle to the full open position and let the water flush for 45 seconds. After flushing line, reattach the shower head. This can prevent damages to the ceramic cartridges caused by debris in the supply line.

USAGE



SANTEC LIFETIME LIMITED WARRANTY

1. **Finishes:** Santec **Polished Chrome, Polished Orobrass** and **Satin Nickel** finishes carry a **Lifetime Limited** warranty against manufacturing defects and tarnish to the original purchaser with the exclusion of kitchen drain assemblies which, due to the nature of their use, are not warranted. Santec **recommended custom finishes** carry a ten (10) years limited warranty against manufacturing defects and tarnish to the original purchaser with the exclusion of kitchen and pop-up drain assemblies which, due to the nature of their use, are not warranted. Kitchen products carry a three (3) year limited warranty.
2. **Cartridges:** Santec Cartridges carry a lifetime limited warranty against manufacturing defects for the life of the product to the original purchaser.
3. **Parts:** Santec parts carry a ten (10) year limited warranty against manufacturing defects, to the original purchaser. Kitchen products carry a five (5) year limited warranty.
4. **Warranty exclusions and limitations:** This warranty does not cover: damage due to negligence, accident, abuse, improper installation, or improper maintenance such as, but not limited to: heat from soldering during installation, the use of plumbers putty, damage from tools used during installation, the use or exposure to chemicals or cleaning products either abrasive or non abrasive or the use of any cleaning tool or product other than a soft, clean cloth. This warranty does not cover: changes in the finish or in the product due to normal wear or aging and does not cover any products or parts which have been altered or used in a manner not typical for the product. **This warranty does not cover and Santec will not be held liable for damage to products caused by the freight carrier and a claim should be made immediately to the freight carrier should this occur.** This warranty does not cover any cost involved in the installation, repair, or replacement of any Santec product or part. This warranty does not cover and Santec will not be held liable for any loss, damages, or expenses, incidental or consequential whatsoever, originating from the purchase, installation, use, repair, failure, or replacement of any Santec product or part, as allowed by law. The product or components of the covered product will either be repaired, refinished or replaced, at the sole discretion of Santec. Santec reserves the right to examine any product claimed defective prior to any warranty claim being accepted or processed, at its sole discretion. This warranty gives you specific legal rights and you may have other rights which may vary from state to state.

Effective **01/01/08** - Replaces and supersedes any previously issued warranty

FINISH CARE INFORMATION

For clear coated or enamel color finishes:

We recommend that all faucets, drains, etc be gently wiped dry with a soft cloth after use to avoid water spotting and water deposit buildup. A mild liquid hand soap, such as Ivory may be used occasionally if desired. Use of non-abrasive carnauba wax will add protection to the finish and should be used if the faucets will not be dried after use.

For non-clear coated and specialty finishes:

We recommend that all faucets, drains, etc be gently wiped dry with a soft cloth after use to avoid water spotting and water deposit buildup. Use of a non-abrasive carnauba wax is required occasionally.

PLEASE REGISTER YOUR PRODUCT ONLINE FOR WARRANTY SERVICES

www.santecfaucet.com/registration