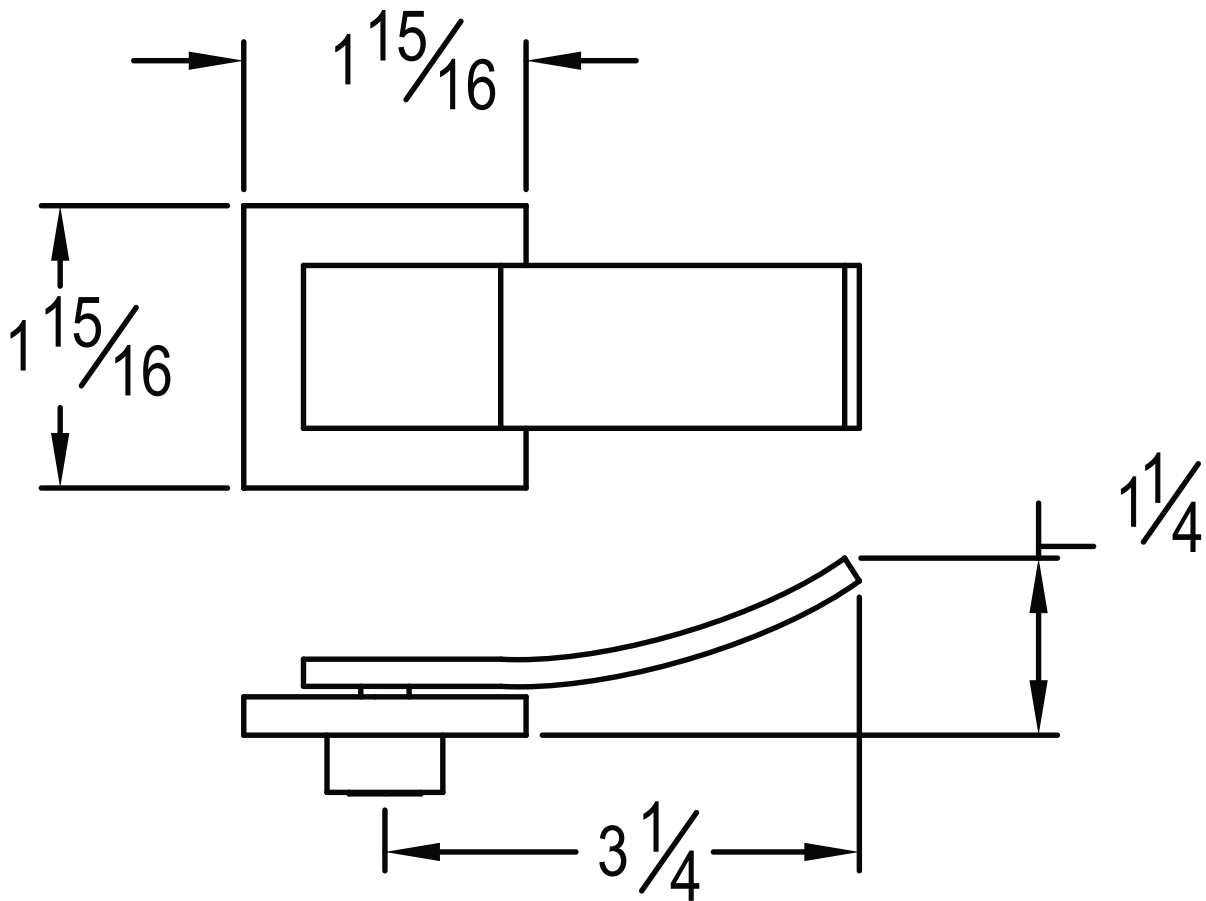


## PRODUCT SPECIFICATION SHEET

**ITEM # DT2-CU-TM**  
**TRIM**  
**2-Way wall mount diverter**

- "CU" style handle
- VALVE NOT INCLUDED
- USE SA2WAY20 VALVE



The measurements shown are for reference only. Products and specifications shown are subject to change without notice.