

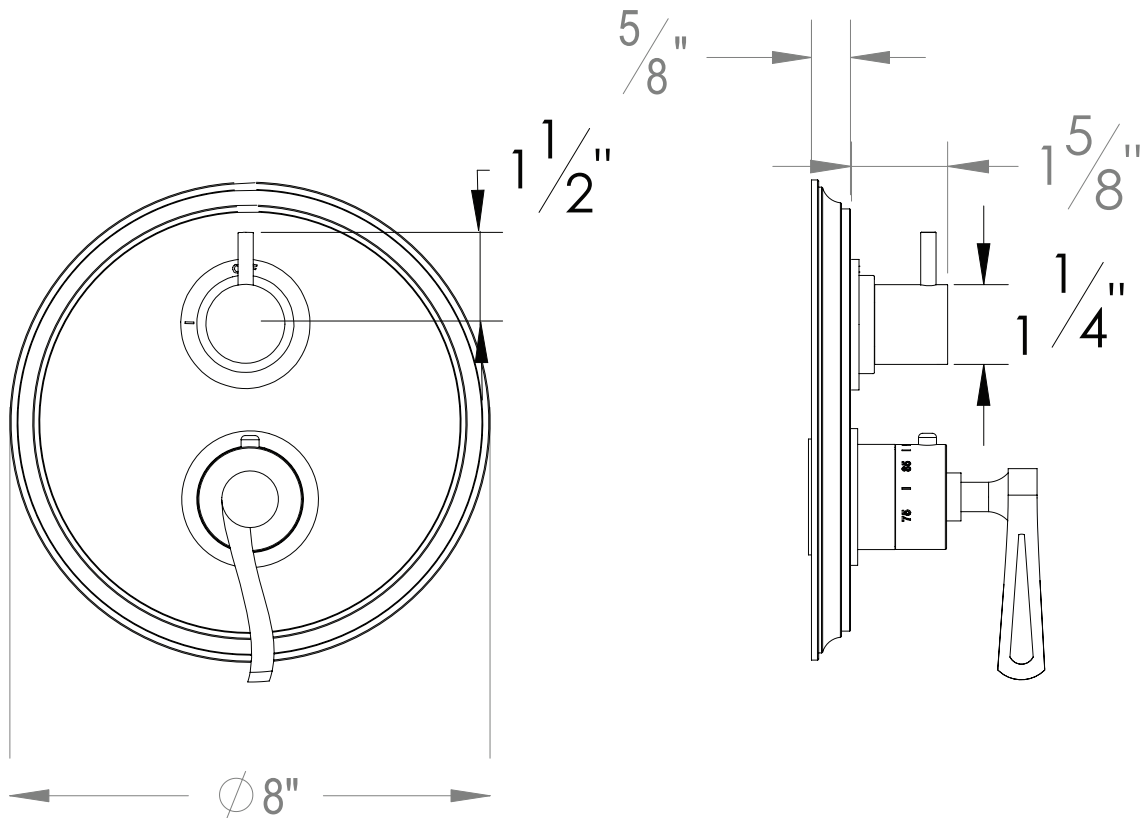
PRODUCT SPECIFICATION SHEET

ITEM # 7096KR-TM

TRIM (Shared function)

1/2" Thermostatic trim with 2-way diverter

- "KR" style handles
- Includes trim plate and handles
- VALVE NOT INCLUDED
- USE TH-8202 VALVE
- Shut-off / diverter for Two Outlets
- For shared application



The measurements shown are for reference only. Products and specifications shown are subject to change without notice.