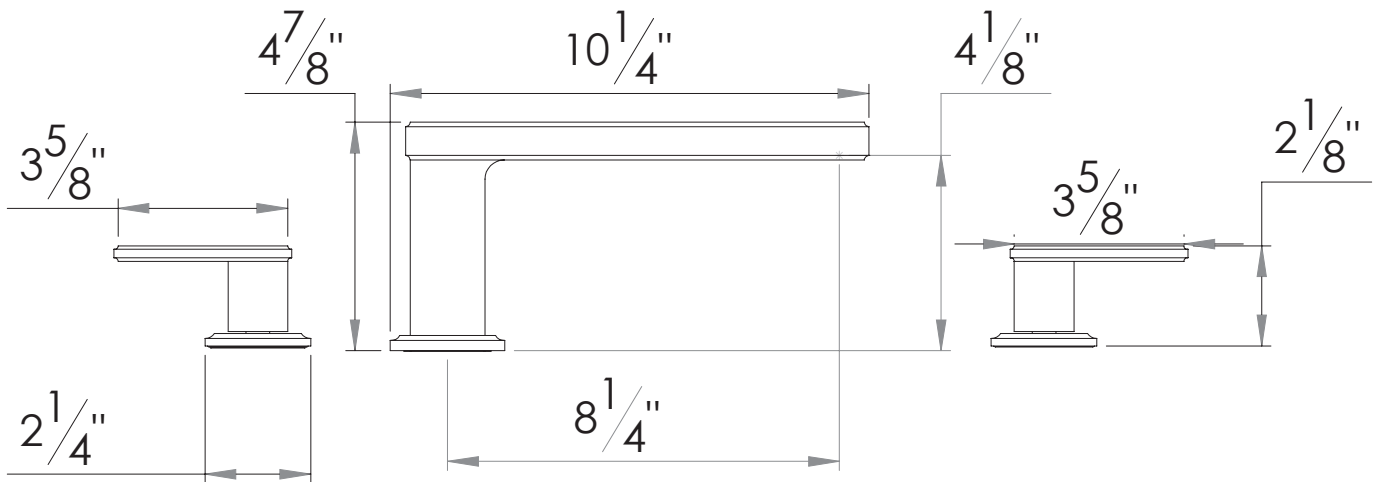


## PRODUCT SPECIFICATION SHEET

### ITEM # 2450MC-TM TRIM Roman tub filler

- "MC" style handles
- 16 GPM
- ROUGH NOT INCLUDED
- USE P0006 ROUGH



The measurements shown are for reference only. Products and specifications shown are subject to change without notice.

[www.santecfaucet.com](http://www.santecfaucet.com) | P: 310.542.0063 F: 310.542.5681