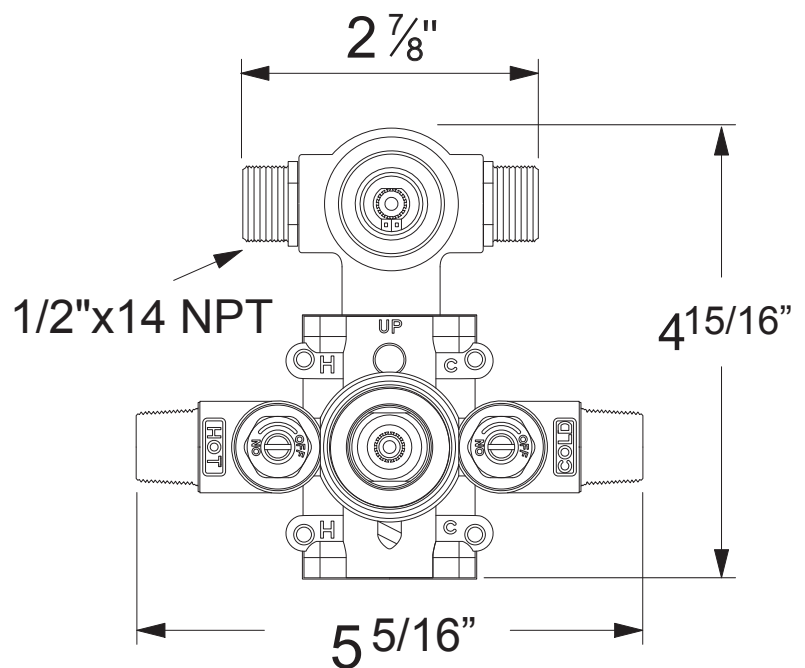
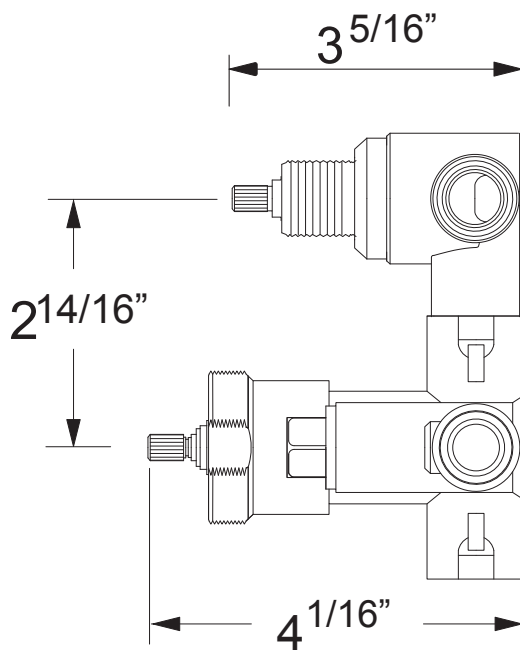
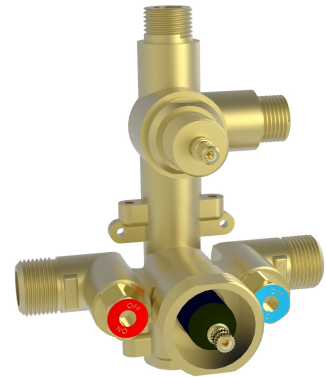


PRODUCT SPECIFICATION SHEET

ITEM # TH-8202
ROUGH (Shared function)
1/2" Thermostatic valve with
volume control and 2-way diverter

- 6 GPM
- Shared function (CALGreen Compliant)
- Service stops



The measurements shown are for reference only. Products and specifications shown are subject to change without notice.