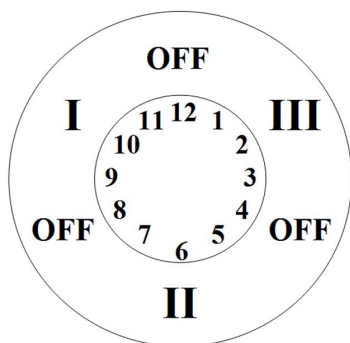
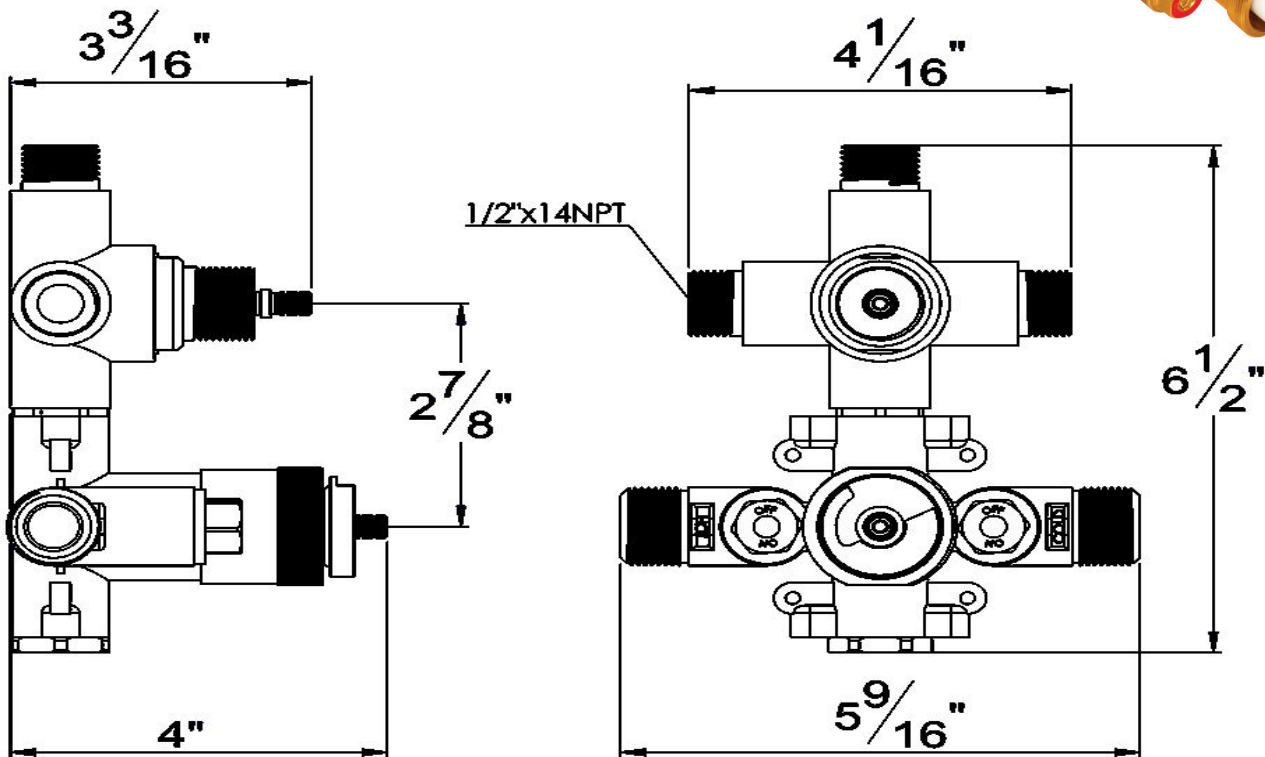


**PRODUCT SPECIFICATION SHEET**

**ITEM # TH-8300**  
**ROUGH**  
**1/2" Thermostatic valve with**  
**volume control and 3-way diverter**

- 6 GPM
- Non-shared function (CALGreen Compliant)
- Service stops



9 o'clock opens top valve  
6 o'clock opens left valve  
3 o'clock opens right valve

The measurements shown are for reference only. Products and specifications shown are subject to change without notice.

www.santecfaucet.com | P: 310.542.0063 F: 310.542.5681